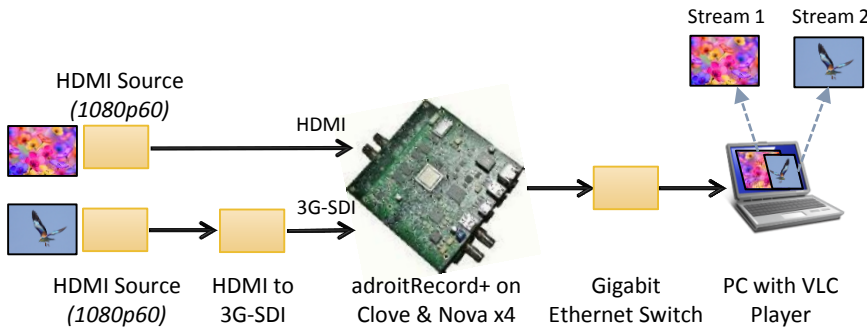


OVERVIEW

- Live 3G-SDI and HDMI® capture, video encoding, streaming over Ethernet and simultaneous recording onto SD card.
- Interoperates with VLC Player on remote PC
- Platform: neonCaster Gen II Clove + Nova x4

HIGHLIGHTS

- Dual-channel H.264, AAC-LC
- Low-Power Full-HD (1080p60) streaming & recording



Equipment	# Units
neonCaster Gen-II Clove + Nova x4	1 + 1
HDMI Source	2
Laptop / PC	1
Ethernet Switch	1
Ethernet Cable	2
HDMI Cable	2
HDMI to 3G-SDI Converter	1
BNC Cable	1

Demos showcase a subset of product capabilities. Please contact [Ittiam Sales](#) or visit [Ittiam website](#) for more details on our products.

TECHNICAL SPECIFICATION OF THE DEMO

- Dual-channel live streaming and simultaneous recording
- Default Configuration (used for auto-start on power-up) for Channel 1
 - Input: 1x1080p60 (3G-SDI)
 - Video: 1x720p30, H.264 MP Level 4.2, 6 Mbps, GOP Size 30
 - Audio: AAC-LC, 48kHz, 16-bit
 - Output: ES over RTP (Streaming) & MP4 File (Recording)
- Default Configuration (used for auto-start on power-up) for Channel 2
 - Input: 1x1080p60 (HDMI)
 - Video: 1x1080p30, H.264 MP Level 4.2, 10 Mbps, GOP Size 30
 - Audio: AAC-LC, 48kHz, 16-bit
 - Output: TS over UDP (Streaming) & MP4 File (Recording)
- Additional input video standards supported
 - 1080p60/59.94/30, 1080i60
 - 720p60
 - NTSC, PAL

[More about adroitSDK](#)

[More about Clove](#)

Contents

- adroitRecord+ SDK Demo Software with click-wrap license
- Browser based UI
- Step-by-step Set up and Installation Guide
- Basic support for queries over emails

Operation

- Auto-start at power up with default configuration
- Ittiam logo overlaid over encoded video
- Demo has a pre-defined timeout
- Demo board uses static IP address