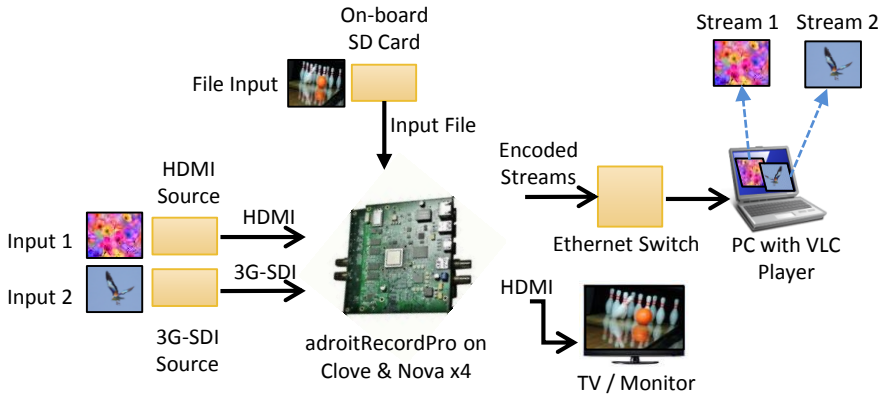


### OVERVIEW

- Two-channel (3G-SDI, HDMI) capture, encoding and streaming over Ethernet; Simultaneous single-channel file playback from SD card to HDMI® display
- Server interoperates with VLC Player on remote PC
- Platform: neonCaster Gen II Clove + Nova x4

### HIGHLIGHTS

- Dual-channel H.264 encoding (1080p30) + Single-channel H.264 decoding (1080p30)
- Simultaneous Full-HD streaming & playback



Equipment	# Units
neonCaster Gen-II Clove + Nova x4	1 + 1
HDMI® Source	1
3G-SDI Source	1
PC/Laptop	1
Ethernet Cable	2
HDMI Cable, BNC Coaxial Cable	2, 1
TV/Monitor	1

Demos showcase a subset of product capabilities. Please contact [Ittiam Sales](#) or visit [Ittiam website](#) for more details on our products.

### TECHNICAL SPECIFICATION OF THE DEMO

- Dual-channel live streaming and simultaneous single-channel file playback
- Default Configuration for Encoder Channel 1
  - Input: 1x1080p60 (3G-SDI)
  - Video: 1x1080p30, H.264 MP Level 4.2, 8 Mbps, GOP Size 30
  - Output: TS over UDP (Streaming)
- Default Configuration for Encoder Channel 2
  - Input: 1x1080p60 (HDMI)
  - Video: 1x1080p30, H.264 MP Level 4.2, 10 Mbps, GOP Size 30
  - Output: TS over UDP (Streaming)
- Default Configuration for Decoder Channel 1
  - Input: MP4 file (SD card)
  - Video: 1x1080p30, H.264
  - Output: 1x1080p30 HDMI
- Additional configurations supported
  - 1x1080p30 Encoder and 2x 1080p30 Decoder operation
  - Encoding bitrate and GOP

[More about adroitSDK](#)

[More about Clove](#)

### Contents

- adroitRecordPro SDK Demo Software with click-wrap license
- Browser based UI
- Step-by-step Set up and Installation Guide
- Basic support for queries over emails

### Operation

- Ittiam logo overlaid over encoded & decoded video
- Demo has a pre-defined timeout
- Demo board uses static IP address